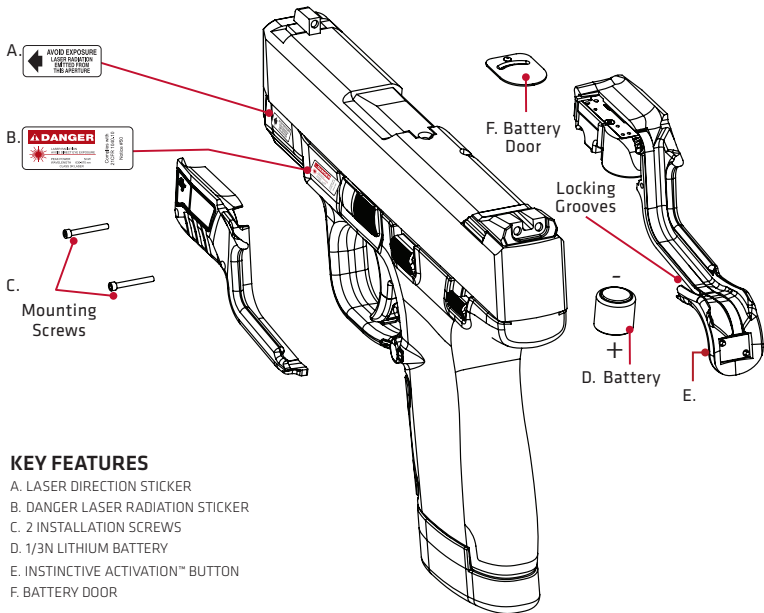




CRIMSON TRACE[®]

QUICK START GUIDE

LASERGUARD[®] FOR RUGER[®] MAX-9[®]



KEY FEATURES

- A. LASER DIRECTION STICKER
- B. DANGER LASER RADIATION STICKER
- C. 2 INSTALLATION SCREWS
- D. 1/3N LITHIUM BATTERY
- E. INSTINCTIVE ACTIVATION™ BUTTON
- F. BATTERY DOOR

INSTALLATION INSTRUCTIONS

1. Make sure firearm is unloaded. Remove magazine and double check that chamber is empty. (See “Four Basic Rules Of Firearm Safety” in Owner’s Handbook.)
2. Insert battery with the flat, (+) side facing up into battery compartment.
3. Slide laser side of Laserguard® onto the trigger guard and snap into place. Ensure activation button hooks around the left side of the trigger guard and snaps into place on the front strap.
4. Hook left side of Laserguard into the right at an angle, by inserting into locking grooves located near activation button. Apply pressure to the front of both sides until both sides join together.
5. Install the three provided screws into the left side (non-laser side) of the Laserguard using the .050” provided hex wrench. Tighten together until there is no gap.
6. Attach “Aperture” warning label with the arrow pointing to the laser aperture. Attach laser “Danger” sticker to outside of pistol.
7. Slide Master ON/OFF switch to the forward “ON” position.
8. Press activation button to turn on laser. Confirm that laser and iron sights are in alignment. Laser dot should rest on top of front site post with correct iron sight picture. Laserguards are sighted-in at the factory at 50 feet, but can be fine-tuned for windage and elevation.

LASER SAFETY LABELING

IMPORTANT: LASER PRODUCTS MUST ONLY BE OPERATED WITH THE SAFETY LABEL APPLIED TO THE FIREARM.

Labels could not be affixed to the product but are supplied and must be installed as indicated below:

- A. Attach the “Aperture” warning label with the arrow pointing to the laser aperture.
- B. Attach the “Danger” warning label to the outside of the firearm.

Use caution when activating the laser to avoid direct eye exposure, which can result in permanent eye damage. Follow all precautions as outlined by the firearms manufacturer. Keep this and all firearm related products locked and secured from children or other unauthorized users.

PRODUCT SPECIFICATIONS

Beam Intensity Red: 5mW peak, 620-670 nm, Class 3R laser

Beam Intensity Green: 5mW peak, 515-532 nm, Class 3R laser

Dot Size: Approximately 0.5" diameter at 50 feet

Batteries: One 1/3N 3V lithium

Activation: Front-located integrated momentary pressure pad

This product complies with 21 CFR 1040.10

Red Laser:
over 4 hours of illumination

Green Laser:
over 2 hours of illumination

WINDAGE/ELEVATION:

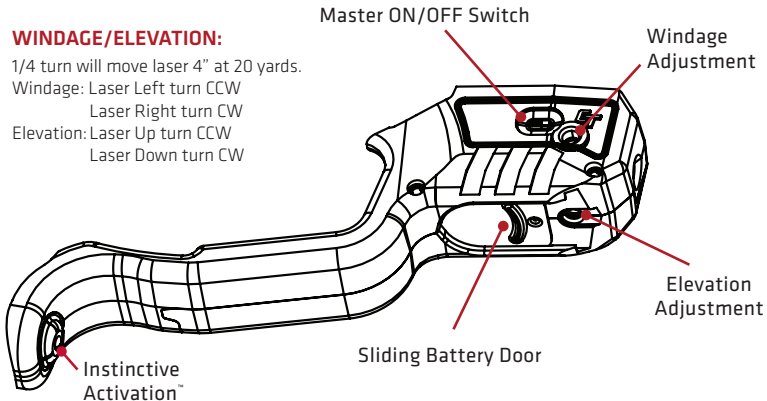
1/4 turn will move laser 4" at 20 yards.

Windage: Laser Left turn CCW

Laser Right turn CW

Elevation: Laser Up turn CCW


Laser Down turn CW



BATTERY WARNINGS

If a battery-operated accessory or attachment (i.e., laser, optical sight, or flash light, etc.) is supplied or used with a firearm, the following warnings and instructions must be adhered to:

 **WARNING: KEEP BATTERIES AWAY FROM CHILDREN. THERE IS A CHEMICAL BURN HAZARD ASSOCIATED WITH BATTERIES.**

 **WARNING: IF A NEW OR USED LITHIUM BUTTON/COIN CELL BATTERY IS SWALLOWED OR ENTERS THE BODY, IT CAN CAUSE SEVERE INTERNAL BURNS AND CAN LEAD TO DEATH IN AS LITTLE AS 2 HOURS. ALWAYS COMPLETELY SECURE THE BATTERY COMPARTMENT. IF THE BATTERY COMPARTMENT DOES NOT CLOSE SECURELY, STOP USING THE PRODUCT, REMOVE THE BATTERIES, AND KEEP IT AWAY FROM CHILDREN. IF YOU THINK BATTERIES MIGHT HAVE BEEN SWALLOWED OR PLACED INSIDE ANY PART OF THE BODY, SEEK IMMEDIATE MEDICAL ATTENTION.**

- When used correctly, batteries provide a safe and dependable source of portable power. However, misuse or abuse may result in leakage, fire, or explosion.
- Batteries can explode or leak and cause burns if installed backwards, disassembled, charged, or exposed to water, fire or high temperature.
- Always take care to install your batteries correctly observing the "+" and "-" marks on the battery and the device.
- Always replace the whole set of batteries at one time, taking care not to mix old and new batteries, or batteries of different types.
- Store unused batteries in their original packaging and away from metal objects that may short-circuit them.
- Remove discharged batteries from equipment promptly to avoid possible damage from leakage.
- Never dispose of batteries in fire. (Failure to observe this precaution may result in an explosion.)
- The batteries are supplied in a charged state, and are not designed for recharging. Recharging may cause leakage, fire, or explosion.
- The batteries should be disposed of properly, including keeping them away from children.
- Dispose of used batteries immediately. Even used batteries can cause injury.

GENERAL WARNINGS

⚠ WARNING: ENSURE THAT YOUR FIREARM IS UNLOADED, THE MAGAZINE IS REMOVED, THE SAFETY IS ON AND YOUR FINGER(S) ARE OFF THE TRIGGER BEFORE ATTEMPTING TO INSTALL, REMOVE OR ADJUST YOUR LASER SIGHT AND/OR LIGHT. FOLLOW THE BASIC FIREARMS SAFETY RULES AT ALL TIMES.

⚠ WARNING: DO NOT INSTALL OR USE THIS PRODUCT IF THE INSTALLATION OF THE PRODUCT IN ANY WAY AFFECTS THE SAFE FUNCTION OF THE FIREARM. IF, WHILE INSTALLING THIS PRODUCT, YOU HAVE ANY TROUBLE WITH THE FIT OR FUNCTIONALITY OF THE FIREARM, STOP IMMEDIATELY AND CALL CUSTOMER SERVICE FOR ASSISTANCE AT 800-442-2406.

⚠ WARNING: FOLLOW ALL PRECAUTIONS AS OUTLINED BY THE FIREARMS MANUFACTURER. KEEP THIS AND ALL FIREARM RELATED PRODUCTS LOCKED AND SECURED FROM CHILDREN OR OTHER UNAUTHORIZED USERS.

REMEMBER, THE USER IS ALWAYS RESPONSIBLE FOR THE SAFE USE OF A FIREARM.

CRIMSON TRACE RECOMMENDS THAT EVERY GUN OWNER TAKE A GUN SAFETY COURSE FROM A CERTIFIED NRA INSTRUCTOR BEFORE HANDLING OR FIRING YOUR FIREARM.



The gear you choose to trust should be as effective as it is reliable and innovative. We proudly stand behind our products with the Crimson Protect Limited Lifetime Warranty. Under the Crimson

Protect Limited Lifetime Warranty, we will repair or replace your Crimson Trace product at no charge to you if it is damaged or defective. If the product cannot be repaired, we will replace it with a product of equal or better value. Electronic Components warrantied to be free from defects in materials and workmanship for a period of three (3) years from the date of manufacture. If determined to have defects in materials and workmanship during the three-year period, we will repair the product at no cost to you. If we cannot repair your product, we will replace it with an item of equivalent value.

For registration and complete warranty terms and conditions please visit www.crimsontrace.com/warranty.

To fill out a warranty claim visit www.crimsontrace.com/support.

NOTES



CRIMSON TRACE®

CRIMSON TRACE HEADQUARTERS • 9780 SW FREEMAN DRIVE, WILSONVILLE, OR 97070

TELEPHONE: 800-442-2406 • FAX: 503-783-5334 • CRIMSONTRACE.COM